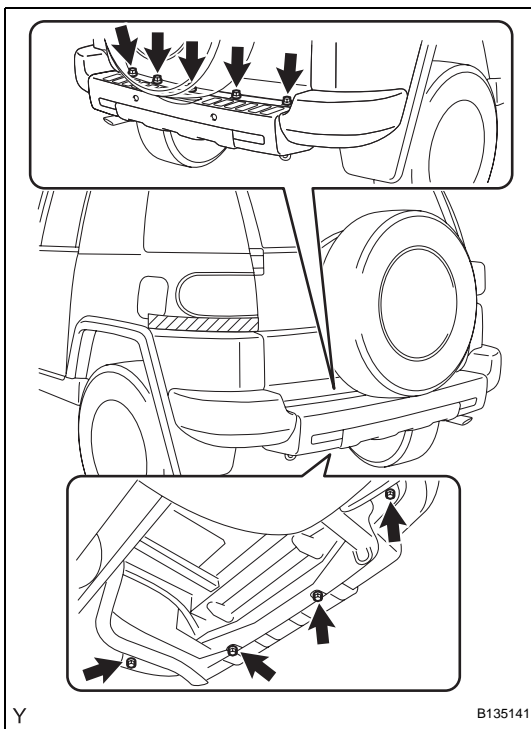
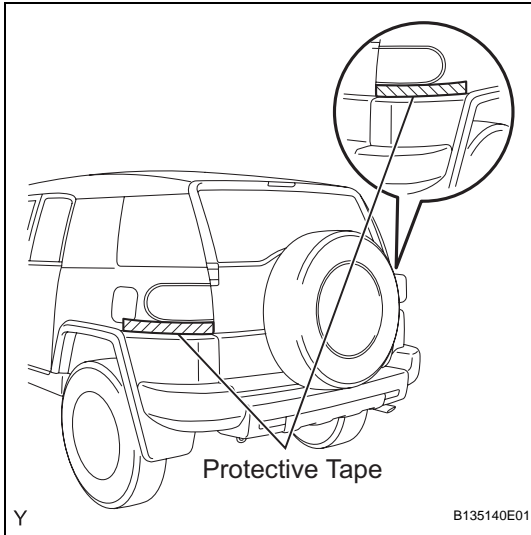
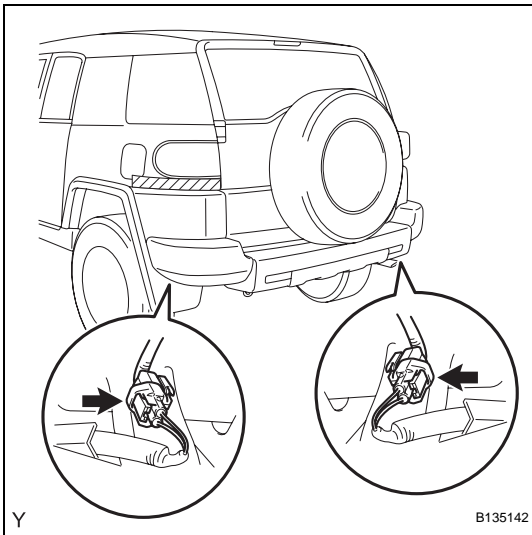


REMOVAL

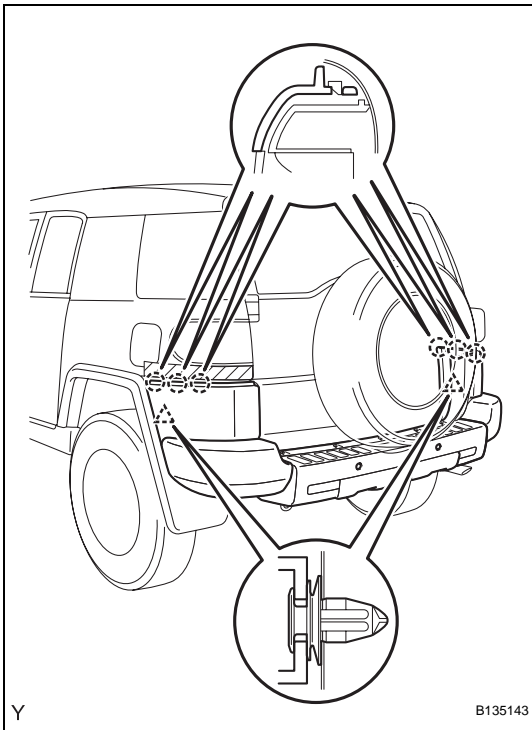
1. **DISCONNECT CABLE FROM NEGATIVE BATTERY TERMINAL**
2. **REMOVE REAR BUMPER COVER**
 - (a) Apply protective tape as shown in the illustration.



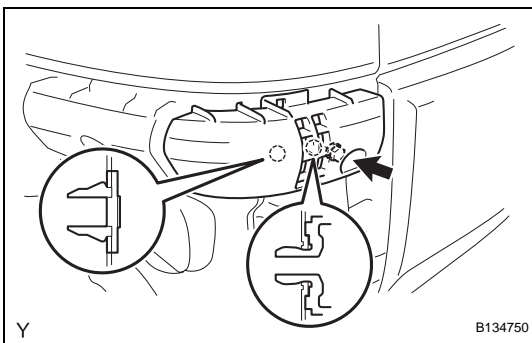
- (b) Remove the 7 bolts and the 2 screws.



- (c) w/ Back Sonar:
 (1) Disconnect the 2 wire to wire connectors.



- (d) Disengage the 6 claws and the 2 clips and remove the rear bumper cover.

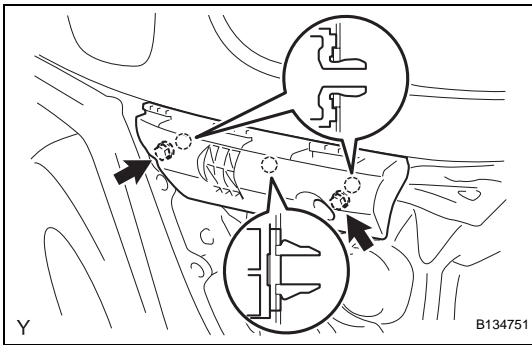


3. REMOVE REAR BUMPER END RETAINER LH

- (a) Remove the screw.
 (b) Disengage the 2 claws and remove the rear bumper end retainer.

4. REMOVE REAR BUMPER END RETAINER RH

- HINT:**
 Use the same procedure as for the LH side.

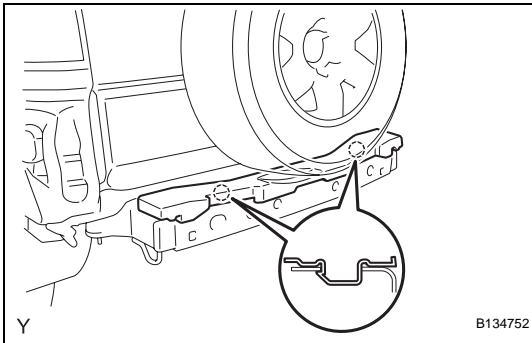
**5. REMOVE REAR BUMPER UPPER RETAINER LH**

- (a) Remove the 2 screws.
- (b) Disengage the 3 claws and remove the rear bumper upper retainer.

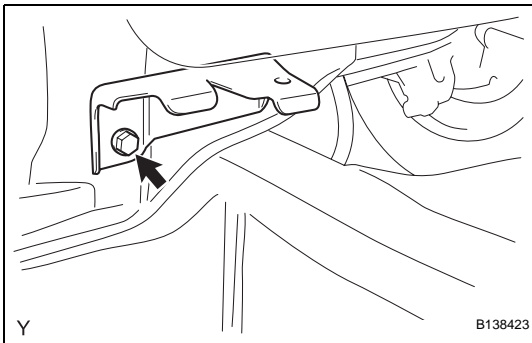
6. REMOVE REAR BUMPER UPPER RETAINER RH

HINT:

Use the same procedure as for the LH side.

**7. REMOVE REAR BUMPER ENERGY ABSORBER**

- (a) Disengage the 2 claws and remove the rear bumper energy absorber.

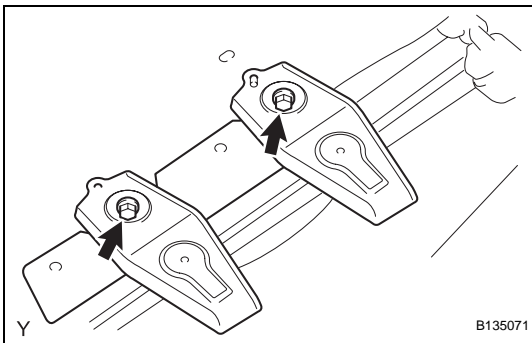
**8. REMOVE REAR BUMPER SIDE STAY LH**

- (a) Remove the bolt and the rear bumper side stay.

9. REMOVE REAR BUMPER SIDE STAY RH

HINT:

Use the same procedure as for the LH side.

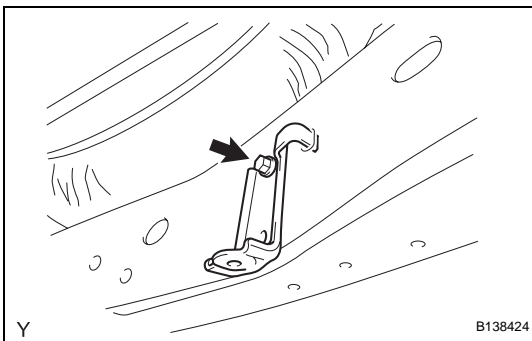
**10. REMOVE REAR BUMPER SIDE SUPPORT SUB-ASSEMBLY LH**

- (a) Remove the 2 bolts and the rear bumper side support.

11. REMOVE REAR BUMPER SIDE SUPPORT SUB-ASSEMBLY RH

HINT:

Use the same procedure as for the LH side.

**12. REMOVE REAR BUMPER BAR BRACKET LH**

- (a) Remove the bolt and the rear bumper bar bracket.

13. REMOVE REAR BUMPER BAR BRACKET RH

HINT:

Use the same procedure as for the LH side.